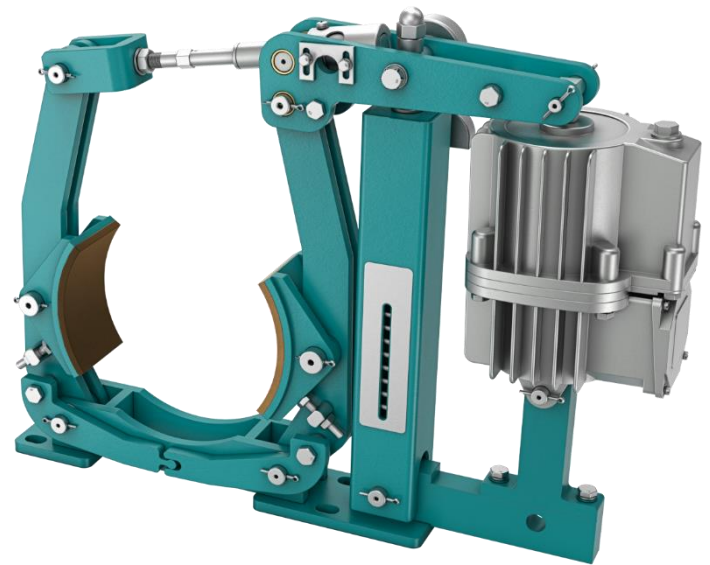


DRUM BRAKES

Trebu drum brake systems meet DIN 15435 standards. Options are defined by client request. The MDB Electro-hydraulic brakes are appropriate for safety application, such as: Cranes, conveyors, metallurgy, mines, ports, construction machinery, etc.

SPECIFICATIONS	VALUE	UNIT
BRAKING FORCE	230 / 3010	N
WEIGHT	35 / 441	Kg
OPERATIONAL TEMPERATURE	-25 / +50	°C
NOMINAL SPRING FORCE	230 / 3100	N
BRAKE SPRING FORCE	180 / 2700	N
RESET SPRING FORCE	100 / 700	N
THRUSTER FORCE	230 / 3010	N
THRUSTER PRODUCED TORQUE	80 / 9600	N
BRAKE PAD MATERIAL	Organic	-
BRAKE PAD THICKNESS	8 / 15	mm
BRAKE PAD DIMENISONS	210 / 710	mm



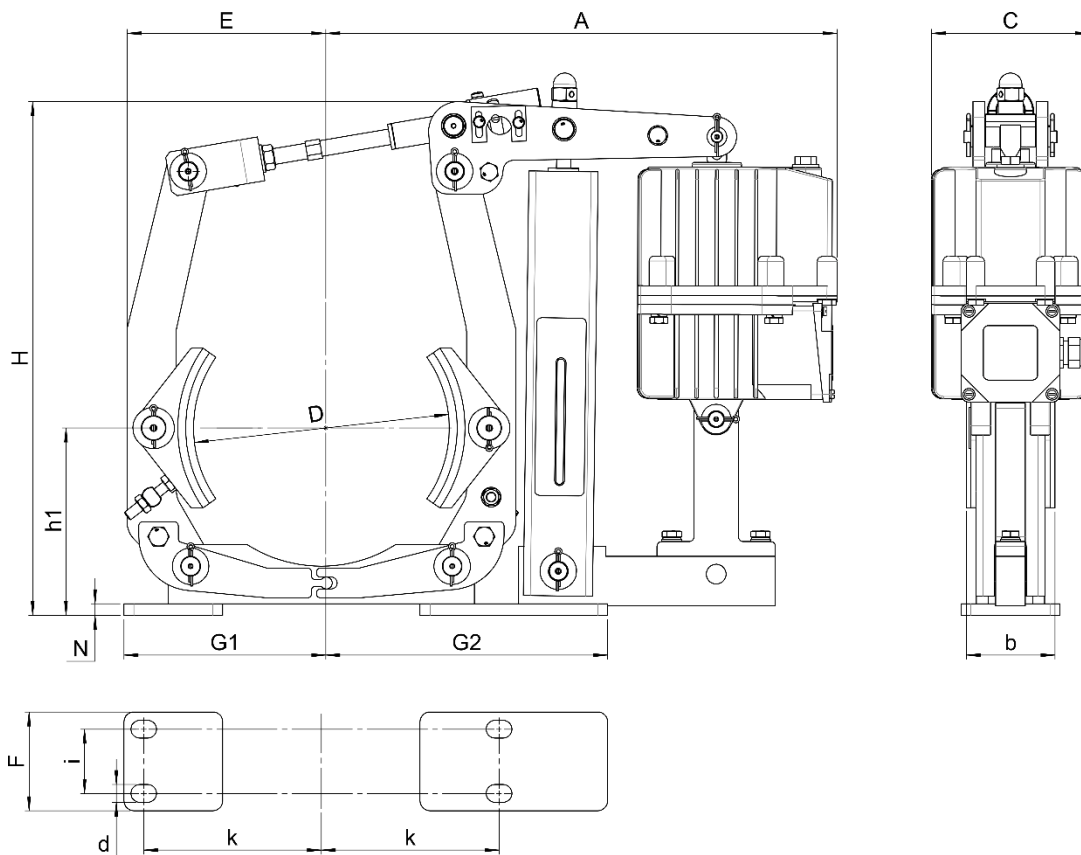
FEATURES

- According to DIN 15435 Standards
- Braking Torque: 80 Nm up to 9600 Nm
- Max Speed: 50 m/s
- Spring application with Thrustor release
- AWA Automatic lining wear adjustment
- Lifting eyes for safe handling and fitting
- Self-centring
- Self-lubricating bushes
- Standard Voltage 230/400V, 50Hz, IP65, Class F
- Aluminium brake shoes with bushes

OPTIONS

- | OPTIONS | CODE |
|---|---------|
| Brake release opening/closing sensors | BRLS |
| Lining wear indicators | LWI |
| Manual release lever | HRL |
| Special Voltage | SV |
| Inner spring | IS |
| Low temperature -40°C | LT |
| High temperature Resistant steel work +70°C | SW |
| Ascending / Descending Valve | AV / DV |
| Customized painting colour | RAL |
| Conservation coating | C5M |
| Thrustor limit stroke sensor | |

GENERAL DIMENSIONS



TYPE	THRUSTER	TORQUE		Kg	A	b	C	D	d	E	F	G1	G2	H	h1	i	k	N
		Min.	Max.															
160	230/5	80	160	28	428	65	160	160	14	140	85	145	195	418	132	55	130	8
200	230/5	110	260	35	470	70	160	200	14	172	90	165	255	490	160	55	145	10
	300/5	140	380	38														
250	230/5	140	300	45	533	90	160	250	18	202	100	200	290	583	190	65	180	12
	300/5	180	380	48														
	500/6	300	600	53														
315	230/5	180	340	66	590	110	160	315	18	253	115	245	330	585	230	80	220	14
	300/5	250	500	70														
	500/6	315	770	75														
	800/6	630	1200	80														
400	500/6	400	960	138	710	140	195	400	22	310	160	310	420	715	280	100	270	14
	800/6	630	1500	140														
	1210/6	1000	2400	155														
500	800/6	800	1920	176	810	180	240	500	22	380	180	365	535	803	340	130	325	21
	1210/6	1250	3000	204														
	2010/6	2000	4800	204														
630	1210/6	1800	3780	310	925	225	240	630	27	465	220	450	600	1025	420	170	400	20
	2010/6	2500	6000	310														
	3010/6	4000	8500	315														
710	2010/6	3150	6000	435	980	225	240	710	27	520	240	500	630	1135	470	190	450	25
	3010/6	5000	9600	441														

* Trebu thruster datasheets available | ** All Dimensions in mm | *** Dimensioning according to ISO 2786-MK